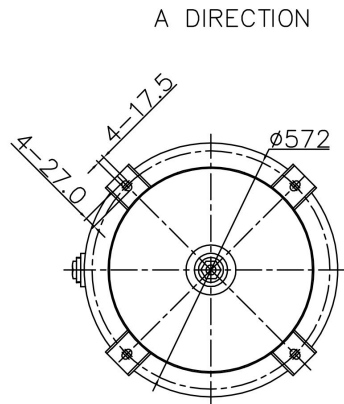




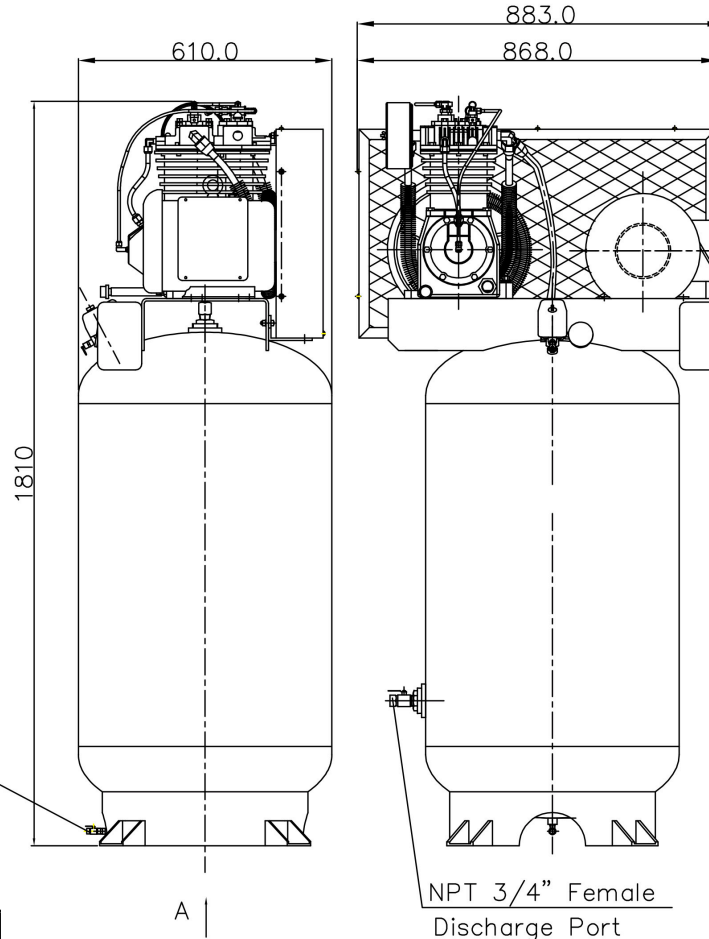
LAPLANTE COMPRESSOR

Model #: V8053-335
Part #: L001126

TRADE SECRET- CONFIDENTIAL AND PROPRIETARY
EXCLUSIVELY OWNED BY LAPLANTE COMPRESSOR, LTD.
ANY COPYING, USE, OR DISCLOSURE WITHOUT THE WRITTEN PERMISSION
OF LAPLANTE COMPRESSOR, LTD. IS STRICTLY PROHIBITED. THIS
MATERIAL IS PROTECTED UNDER TRADE SECRET AND UNFAIR
COMPETITION LAWS. THE EXPRESSION OF THE INFORMATION IS
PROTECTED UNDER FEDERAL COPYRIGHT LAWS. VIOLATIONS MAY
RESULT IN CIVIL AND CRIMINAL FINES AND PENALTIES.



NPT 1/4" Female
Drain Water Valve



CFM Piston Displacement	ACFM	ACFM	ACFM
21.6	@ 125 PSI	@ 150 PSI	@ 175 PSI
	17.2	16.8	16.2

Standard Packaging Weight:
Single Piece: 540 lbs./ 245 Kg
Crated: 683 lbs./ 310 Kg

Container Quantities:
20': 22 Units
40': 46 Units

SPECIFICATIONS:

Pump:

- ◆ Type: LP335
- ◆ Cylinders: 2
- ◆ LP Bore: 4.75"/ 121 mm
- ◆ HP Bore: 2.5"/ 63.5 mm
- ◆ Stroke: 3"/ 76 mm
- ◆ RPM: 701
- ◆ Flywheel: 13.75"/ 349.25 mm
- ◆ Belts: 2B63

Motor:

- ◆ Size: 5 HP/ 3.75 Kw
- ◆ Frame: 184T
- ◆ Voltage: 208-230/460
- ◆ Phase: Three
- ◆ Frequency: 60 Hz
- ◆ Amps: 13-14/6.5
- ◆ RPM: 1750

Tank:

- ◆ Vertical 80 Gal/ 303 L
- ◆ Max Pressure: 200 PSI
- ◆ ASME Certified

Controls:

- ◆ Pressure Switch
- ◆ IEC Rated Magnetic Starter

LAPLANTE
COMPRESSOR

1830 W. 15th St.
Houston, TX 77008
Phone: 713-635-6291
Fax: 713-635-6360

Email: Sales@LaplanteCompressor.com
Website: www.LaplanteCompressor.com