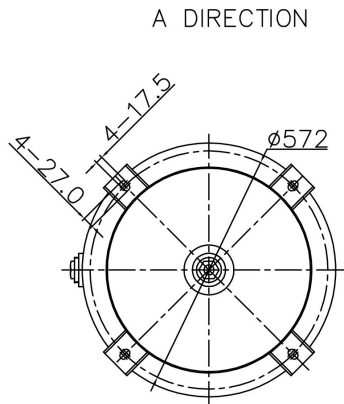


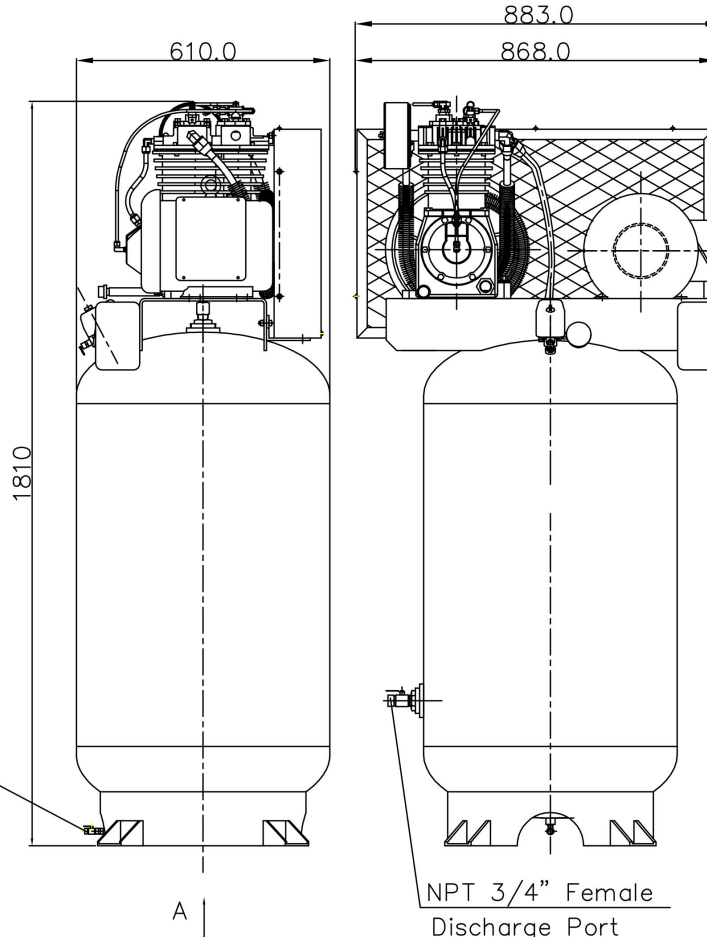


# LAPLANTE COMPRESSOR

**Model #: V8051-335**  
**Part #: L001128**



NPT 1/4" Female  
Drain Water Valve



**TRADE SECRET- CONFIDENTIAL AND PROPRIETARY**  
EXCLUSIVELY OWNED BY LAPLANTE COMPRESSOR, LTD.  
ANY COPYING, USE, OR DISCLOSURE WITHOUT THE WRITTEN PERMISSION  
OF LAPLANTE COMPRESSOR, LTD. IS STRICTLY PROHIBITED. THIS  
MATERIAL IS PROTECTED UNDER TRADE SECRET AND UNFAIR  
COMPETITION LAWS. THE EXPRESSION OF THE INFORMATION IS  
PROTECTED UNDER FEDERAL COPYRIGHT LAWS. VIOLATIONS MAY  
RESULT IN CIVIL AND CRIMINAL FINES AND PENALTIES.

**SPECIFICATIONS:**

- Pump:**
- ◆ Type: LP335
  - ◆ Cylinders: 2
  - ◆ LP Bore: 4.75" / 121 mm
  - ◆ HP Bore: 2.5" / 63.5 mm
  - ◆ Stroke: 3" / 76 mm
  - ◆ RPM: 701
  - ◆ Flywheel: 13.75" / 349.25 mm
  - ◆ Belts: 2B63
- Motor:**
- ◆ Size: 5 HP / 3.75 Kw
  - ◆ Frame: 184T
  - ◆ Voltage: 208-230
  - ◆ Phase: Single
  - ◆ Frequency: 60 Hz
  - ◆ Amps: 20.2- 22.9
  - ◆ RPM: 1750
- Tank:**
- ◆ Vertical 80 Gal / 303 L
  - ◆ Max Pressure: 200 PSI
  - ◆ ASME Certified
- Controls:**
- ◆ Pressure Switch
  - ◆ IEC Rated Magnetic Starter

| CFM Piston Displacement | ACFM      | ACFM      | ACFM      |
|-------------------------|-----------|-----------|-----------|
| 21.62                   | @ 125 PSI | @ 150 PSI | @ 175 PSI |
|                         | 17.2      | 16.8      | 16.2      |

Standard Packaging Weight:  
Single Piece: 540 lbs./ 245 Kg  
Crated: 683 lbs./ 310 Kg

Container Quantities:  
20': 22 Units  
40': 46 Units

**LAPLANTE**  
COMPRESSOR  
1830 W. 15th St.  
Houston, TX 77008  
Phone: 713-635-6291  
Fax: 713-635-6360  
Email: [Sales@LaplanteCompressor.com](mailto:Sales@LaplanteCompressor.com)  
Website: [www.LaplanteCompressor.com](http://www.LaplanteCompressor.com)