



LAPLANTE COMPRESSOR

Model #: V12073-452
Part #: L001120

TRADE SECRET- CONFIDENTIAL AND PROPRIETARY
EXCLUSIVELY OWNED BY LAPLANTE COMPRESSOR, LTD.
ANY COPYING, USE, OR DISCLOSURE WITHOUT THE WRITTEN PERMISSION
OF LAPLANTE COMPRESSOR, LTD. IS STRICTLY PROHIBITED. THIS
MATERIAL IS PROTECTED UNDER TRADE SECRET AND UNFAIR
COMPETITION LAWS. THE EXPRESSION OF THE INFORMATION IS
PROTECTED UNDER FEDERAL COPYRIGHT LAWS. VIOLATIONS MAY
RESULT IN CIVIL AND CRIMINAL FINES AND PENALTIES.

SPECIFICATIONS:

Pump:

- ◆ Type: LP452
- ◆ Cylinders: 4
- ◆ LP Bore: 4.75" / 121 mm
- ◆ HP Bore: 2.5" / 63.5 mm
- ◆ Stroke: 3" / 76 mm
- ◆ RPM: 556
- ◆ Flywheel: 18" / 457.25 mm
- ◆ Belts: 3B77

Motor:

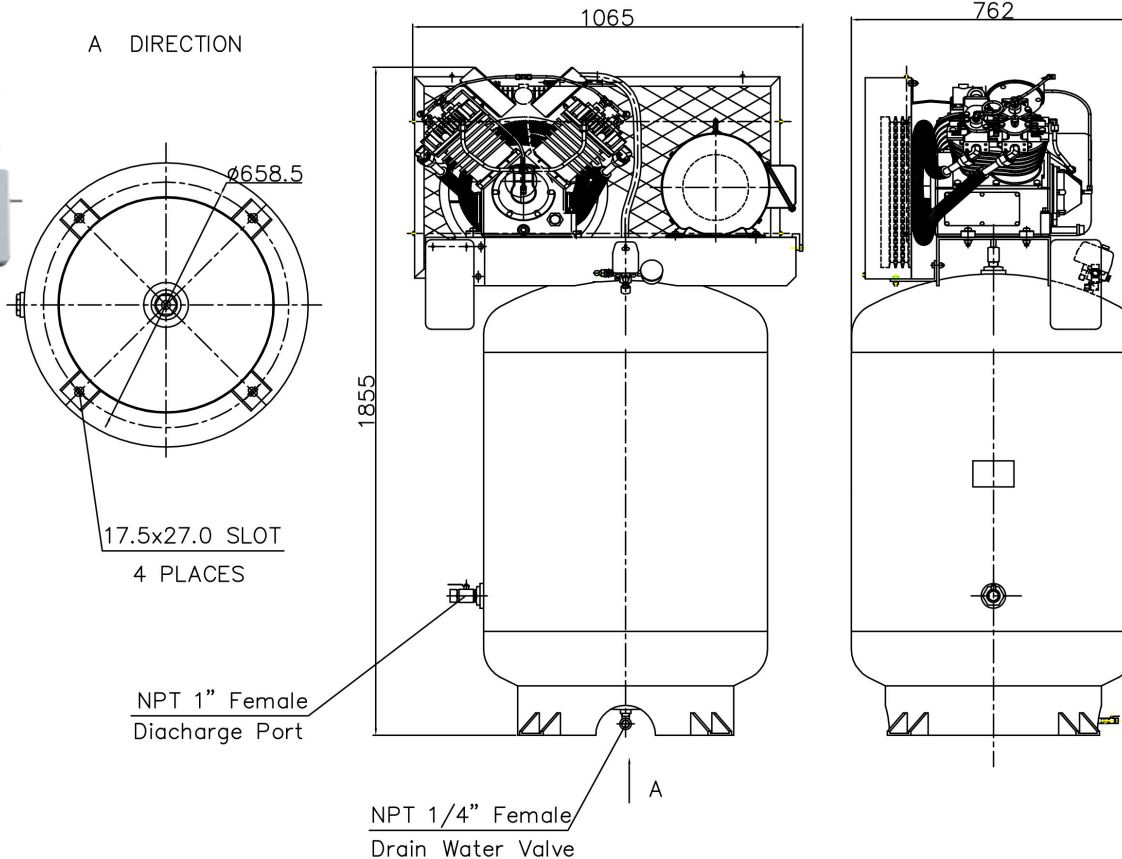
- ◆ Size: 7.5 HP / 5.63 Kw
- ◆ Frame: 213T
- ◆ Voltage: 208-230/460
- ◆ Phase: Three
- ◆ Frequency: 60 Hz
- ◆ Amps: 18.2-19 / 9.1
- ◆ RPM: 1750

Tank:

- ◆ Vertical 120 Gal / 454.4 L
- ◆ Max Pressure: 200 PSI
- ◆ ASME Certified

Controls:

- ◆ Pressure Switch
- ◆ IEC Rated Magnetic Starter



CFM Piston Displacement	ACFM	ACFM	ACFM
34.2	@ 125 PSI	@ 150 PSI	@ 175 PSI
	28.27	27.63	26.22

Standard Packaging Weight:
Single Piece: 826 lbs. / 375 Kg
Crated: 972 lbs. / 441 Kg

Container Quantities:
20': 12 Units
40': 28 Units

LAPLANTE
COMPRESSOR
1830 W. 15th St.
Houston, TX 77008
Phone: 713-635-6291
Fax: 713-635-6360
Email: Sales@LaplanteCompressor.com
Website: www.LaplanteCompressor.com