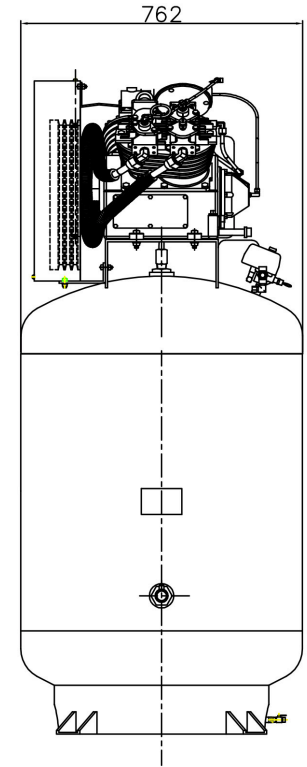
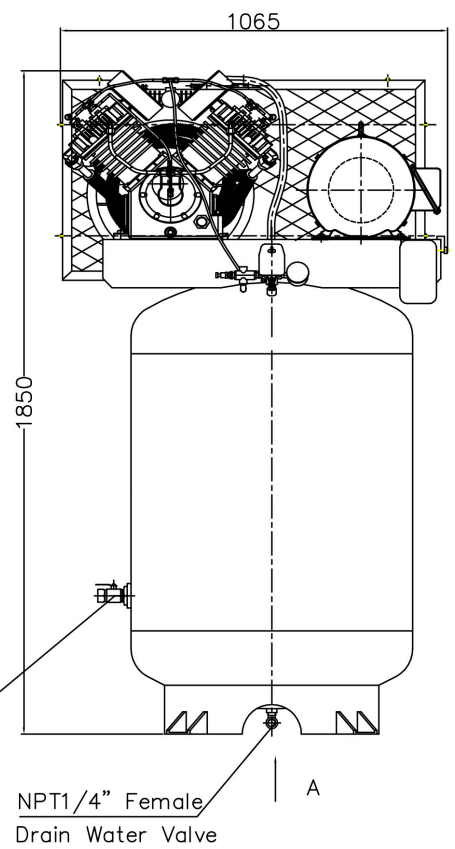
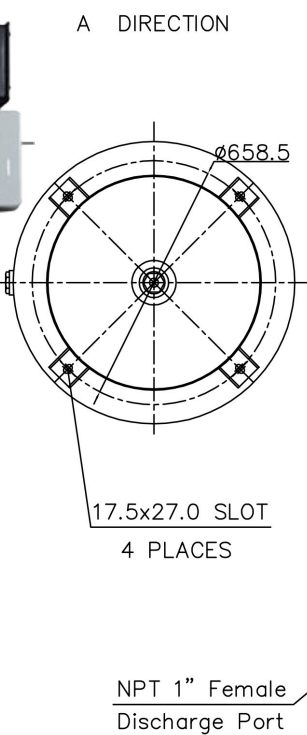




LAPLANTE COMPRESSOR

Model #: V120103-452
Part #: L001124



TRADE SECRET- CONFIDENTIAL AND PROPRIETARY
EXCLUSIVELY OWNED BY LAPLANTE COMPRESSOR, LTD.
ANY COPYING, USE, OR DISCLOSURE WITHOUT THE WRITTEN PERMISSION OF LAPLANTE COMPRESSOR, LTD. IS STRICTLY PROHIBITED. THIS MATERIAL IS PROTECTED UNDER TRADE SECRET AND UNFAIR COMPETITION LAWS. THE EXPRESSION OF THE INFORMATION IS PROTECTED UNDER FEDERAL COPYRIGHT LAWS. VIOLATIONS MAY RESULT IN CIVIL AND CRIMINAL FINES AND PENALTIES.

- SPECIFICATIONS:**
- Pump:**
- ◆ Type: LP452
 - ◆ Cylinders: 4
 - ◆ LP Bore: 4.75" / 121 mm
 - ◆ HP Bore: 2.5" / 63.5 mm
 - ◆ Stroke: 3" / 76 mm
 - ◆ RPM: 730
 - ◆ Flywheel: 18" / 457.25 mm
 - ◆ Belts: 3B77
- Motor:**
- ◆ Size: 10 HP / 7.5 Kw
 - ◆ Frame: 215T
 - ◆ Voltage: 208-230/460
 - ◆ Phase: Three
 - ◆ Frequency: 60 Hz
 - ◆ Amps: 25-27/ 12.5
 - ◆ RPM: 1750
- Tank:**
- ◆ Vertical 120 Gal/ 454.4 L
 - ◆ Max Pressure: 200 PSI
 - ◆ ASME Certified
- Controls:**
- ◆ Pilot Valve
 - ◆ Pressure Switch
 - ◆ IEC Rated Magnetic Starter

CFM Piston Displacement	ACFM	ACFM	ACFM
44.9	@ 125 PSI	@ 150 PSI	@ 175 PSI
	37.18	36.5	35.2

Standard Packaging Weight:
Single Piece: 835 lbs./ 379 Kg
Crated: 980 lbs./ 449 Kg

Container Quantities:
20': 12 Units
40': 28 Units

LAPLANTE
COMPRESSOR
1830 W. 15th St.
Houston, TX 77008
Phone: 713-635-6291
Fax: 713-635-6360
Email: Sales@LaplanteCompressor.com
Website: www.LaplanteCompressor.com