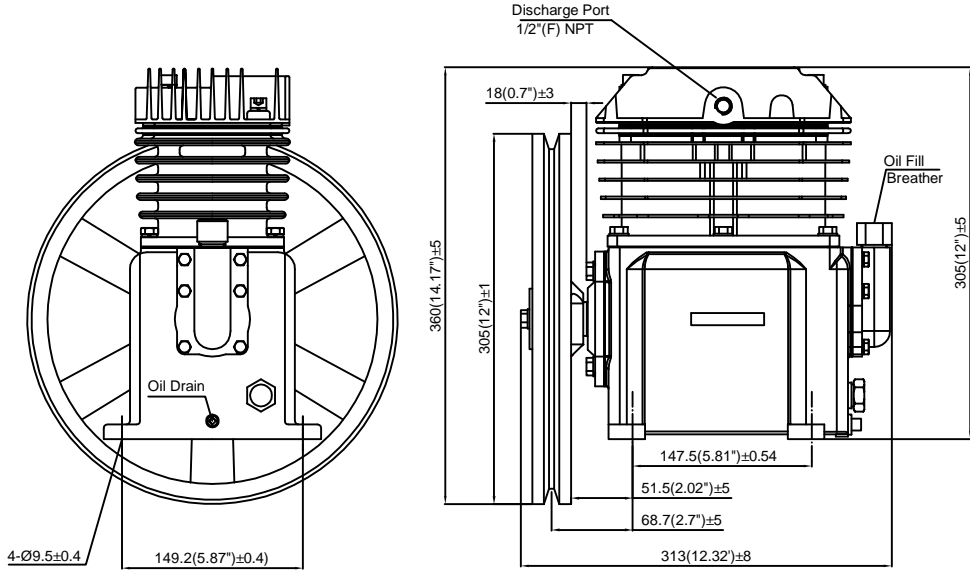
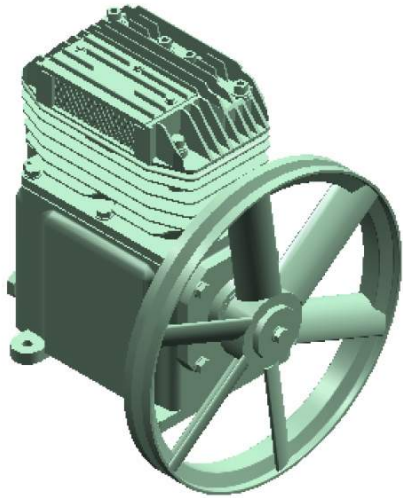


TRADE SECRET –CONFIDENTIAL AND PROPRIETARY  
 EXCLUSIVELY OWNED BY LAPLANTE COMPRESSOR, LTD.,  
 ANY COPYING, USE OR DISCLOSURE WITHOUT THE WRITTEN  
 PERMISSION OF LAPLANTE COMPRESSOR, LTD. IS STRICTLY  
 PROHIBITED. THIS MATERIAL IS PROTECTED UNDER  
 TRADE SECRET AND UNFAIR COMPETITION LAWS. THE  
 EXPRESSION OF THE INFORMATION IS PROTECTED UNDER  
 FEDERAL COPYRIGHT LAWS. VIOLATIONS MAY RESULT IN  
 CIVIL AND CRIMINAL FINES AND PENALTIES.



**SPECIFICATIONS:**

1. Power Range: 1.5 - 2.5HP / 0.75 - 2.0 Kw
2. Maximum Pressure: 155 Psi / 10.69 Bar
3. Cylinder: 2
4. Bore : 2.95" / 75 mm
5. Stroke: 1.5" / 38mm
6. RPM Min / Max: 500 / 1400
7. Flywheel Dia. / Groove: 12" / 305 mm / 1A

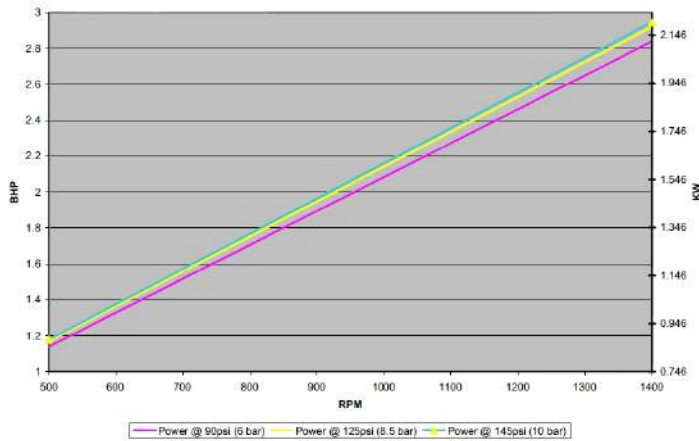
**Features:**

1. Cast Iron Crankcase
2. Cast Iron Cylinder
3. Aluminum Cylinder Head
4. Ductile Iron Crankshaft
5. Aluminum Conn. Rod
6. Bronze Bushings Wrist Pin
7. Babbitt Bearings Crankshaft
8. Ball Main Bearings
9. Steel Breather and Brass Sight Glass
10. Fill With ISO100 Lubricant Oil
11. Synthetic Lubricant as Optional

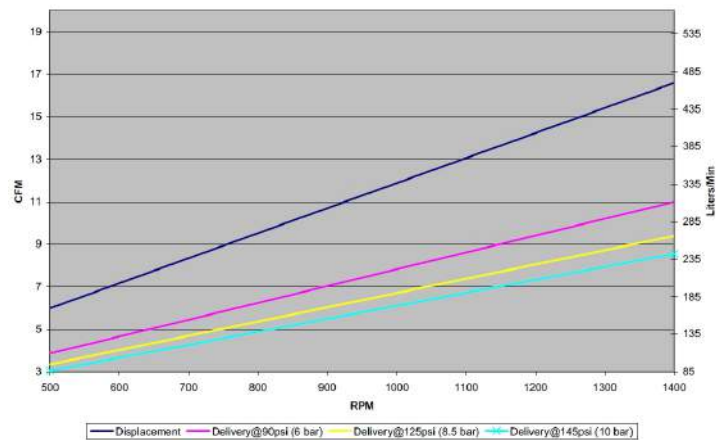
**Standard Package:**

1. Single: 1 pc, Weight: 52 Lbs / 23 Kg
- 2a. Pallet: 36 Pcs/ 1 Pallet
- 2b. 20' Container: 750 pcs; 40' Container: 950 pcs

LPS7538 Performance (Power)



LPS7538 Performance (Delivery)



Address : 1830 W. 15th Street Houston, TX 77008  
 Telephone : (713) 635-6291  
 Email : sales@lptexascompressor.com  
 Website : www.LPTexasCompressor.com

TITLE  
**LPS7538 Specifications**