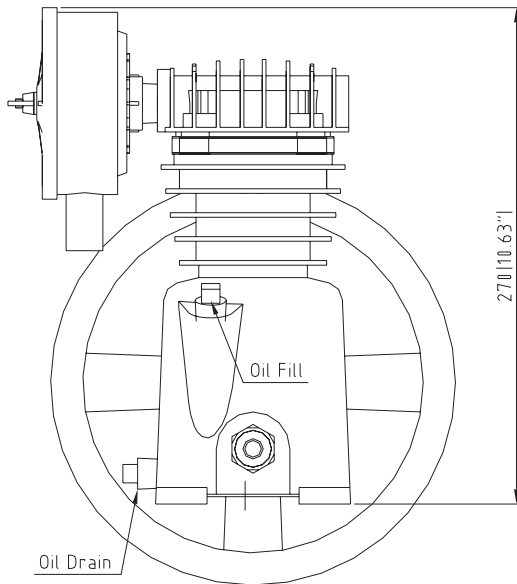
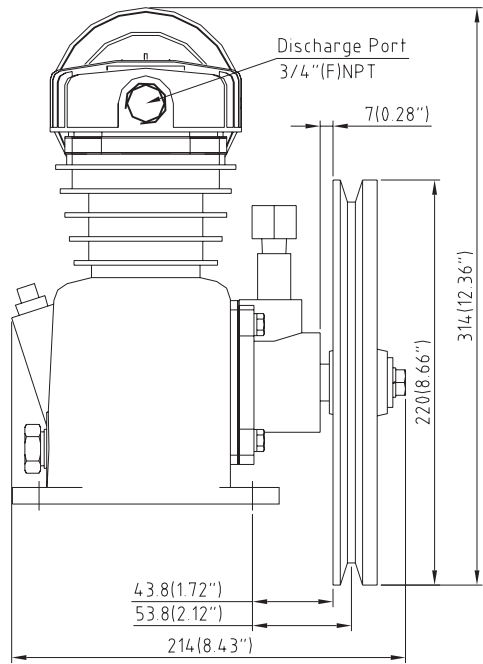
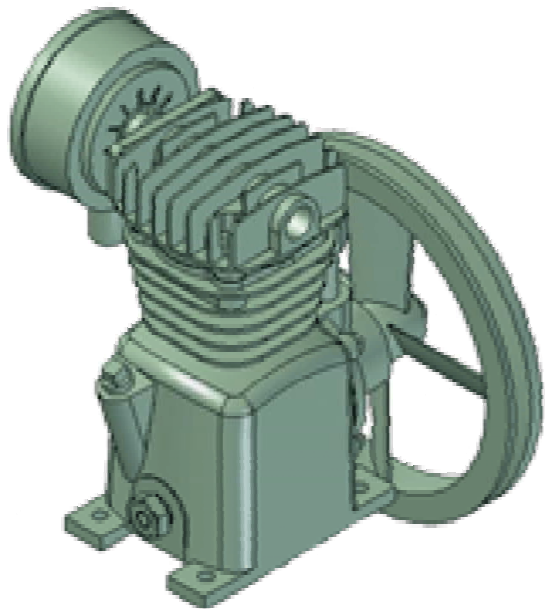


TRADE SECRET - CONFIDENTIAL AND PROPRIETARY EXCLUSIVELY OWNED BY LAPLANTE COMPRESSOR, LTD., ANY COPYING, USE OR DISCLOSURE WITHOUT THE WRITTEN PERMISSION OF LAPLANTE COMPRESSOR, LTD. IS STRICTLY PROHIBITED. THIS MATERIAL IS PROTECTED UNDER TRADE SECRET AND UNFAIR COMPETITION LAWS. THE EXPRESSION OF THE INFORMATION IS PROTECTED UNDER FEDERAL COPYRIGHT LAWS. VIOLATIONS MAY RESULT IN CIVIL AND CRIMINAL FINES AND PENALTIES.



**Specification:**

- Power Range: 0.25~1HP/0.2~0.75Kw
- Maximum Pressure: 145Psi/10Bar
- Cylinders: 1
- Bore : 2"/51mm
- Stroke: 1.5"/38mm
- RPM: 400~1400
- Flywheel Dia./Groove: **8.66"/220mm/1B**

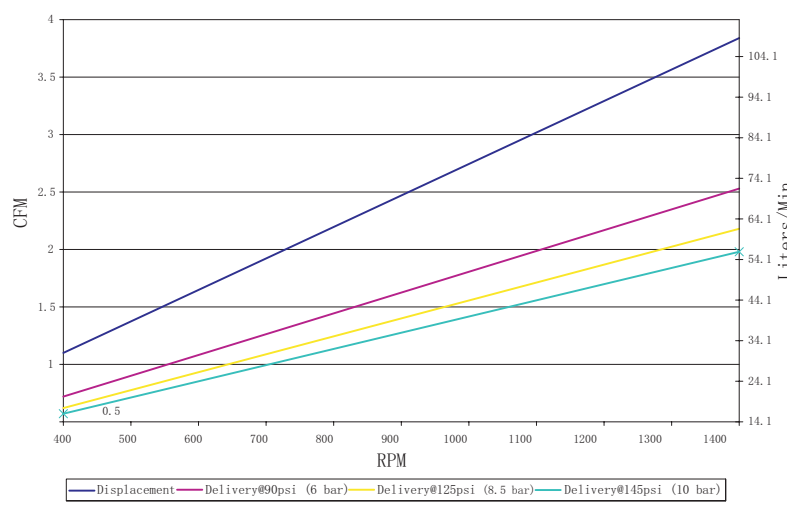
**Features:**

- Cast Iron Crankcase
- Cast Iron Cylinder
- Cast Iron Cylinder Head
- Ductile Iron Crankshaft
- Aluminun Conn. Rod
- Bronze Bushings Wrist Pin
- Babbitt Bearings Crankshaft
- Ball Main Bearings
- Steel Breather and Brass Sight Glass
- Power Coated Steel Filter Silencer
- Filled with DAB150 Lubricant
- Synthetic Lubricant as Optional

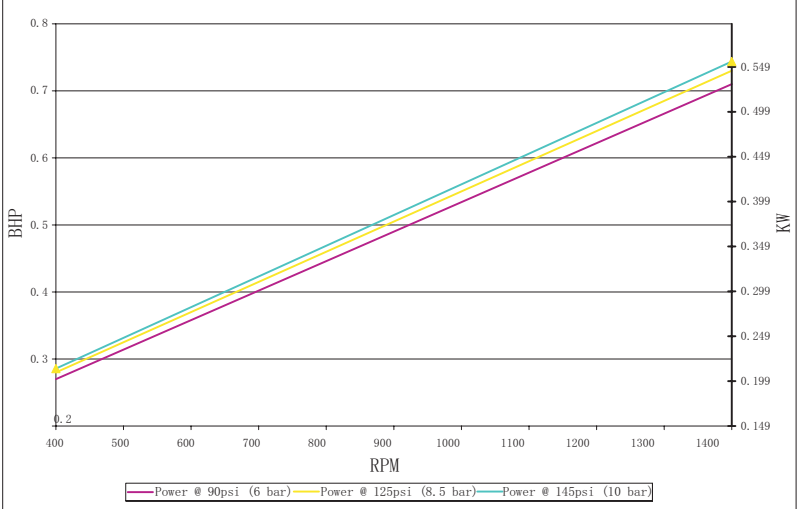
**Standard Package:**

- Single : 1 Pcs,Weight:17LB/8Kg
- Crate : 90 Pcs,Weight:1620LB/760Kg
- 20' Container : 2160 Pcs
- 40' Container : 2790 Pcs

LPS5138 Performance (Delivery)



LPS5138 Performance (Power)



Address : 1830 W. 15th Street Houston, TX 77008  
 Telephone : (713) 635-6291  
 Email : sales@lptexascompressor.com  
 Website : www.LPTexasCompressor.com

TITLE  
**LPS5138 Specifications**