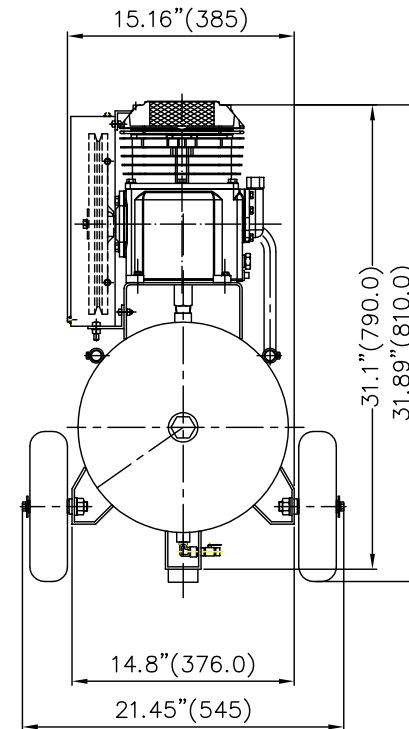
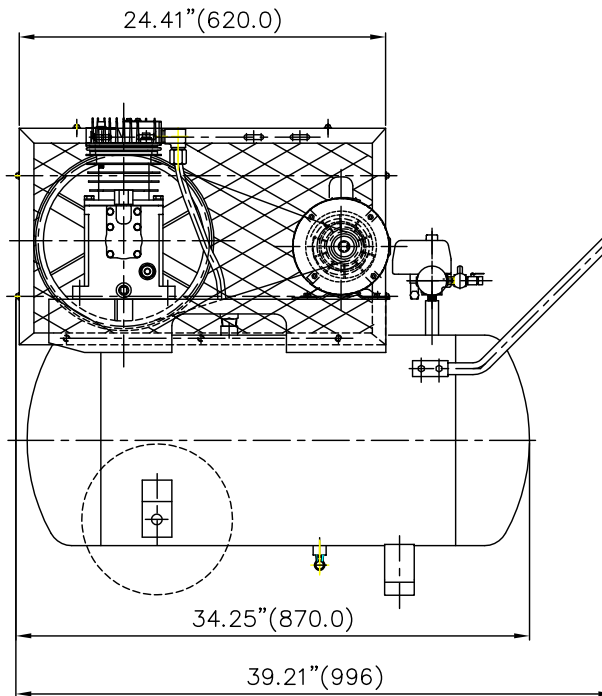




LAPLANTE COMPRESSOR

Model #: C20215-755
Part #: L001037



TRADE SECRET- CONFIDENTIAL AND PROPRIETARY
EXCLUSIVELY OWNED BY LAPLANTE COMPRESSOR, LTD.
ANY COPYING, USE, OR DISCLOSURE WITHOUT THE WRITTEN PERMISSION OF LAPLANTE COMPRESSOR, LTD. IS STRICTLY PROHIBITED. THIS MATERIAL IS PROTECTED UNDER TRADE SECRET AND UNFAIR COMPETITION LAWS. THE EXPRESSION OF THE INFORMATION IS PROTECTED UNDER FEDERAL COPYRIGHT LAWS. VIOLATIONS MAY RESULT IN CIVIL AND CRIMINAL FINES AND PENALTIES.

SPECIFICATIONS:

Pump:

- ◆ Type: LPSS7550
- ◆ Cylinders: 2
- ◆ Bore: 2.95" / 75 mm
- ◆ Stroke: 1.97" / 50 mm
- ◆ RPM: 880
- ◆ Flywheel: 12" / 305 mm
- ◆ Belts: 1A50

Motor:

- ◆ Size: 3 HP / 2.24 Kw
- ◆ Frame: 56
- ◆ Voltage: 208-230
- ◆ Frequency: 60 Hz
- ◆ Amps: 15-16
- ◆ RPM: 3450

Tank:

- ◆ Vertical 20 Gal / 76 L
- ◆ Max Pressure: 175 PSI

Controls:

- ◆ Pressure Switch

CFM Piston Displacement	ACFM	ACFM	ACFM
13.72	@ 90 PSI	@ 125 PSI	@ 145 PSI
	10.81	9.23	8.62

Standard Packaging Weight:
Single Piece: 178 lbs./ 81 Kg
Crated: 222 lbs./ 101 Kg

Container Quantities:
20': 48 Units
40': 104 Units

LAPLANTE
COMPRESSOR

1830 W. 15th St.
Houston, TX 77008
Phone: 713-635-6291
Fax: 713-635-6360

Email: Sales@LaplanteCompressor.com
Website: www.LaplanteCompressor.com